

CL 18T – force transducer for ropes and rods

- compressive force measurement in ropes and rods
- dimensions resulting from sensor's applying needs
- nominal forces from 10 kN up to 3000 kN
- three year warranty



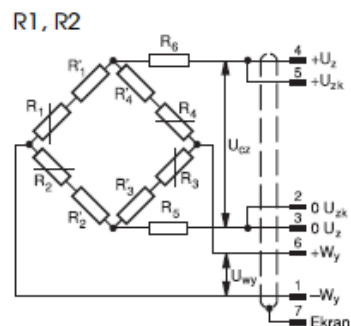
Specifications:

Parameter	Unit	Value
Nominal force	kN	10, 20, 50, 100, 200, 500, 1000, 2000, 3000*
Non-linearity	%	0,5
Nominal sensitivity	mV / V	1 or 2
Nominal input voltage	VDC	10
Input resistance	Ω	730 ± 25
Output resistance	Ω	700 ± 5
Signal of bridge unbalance	%	0,2
Return of output signal to zero after nominal load take away	%	$\leq \pm 0,03$
Creep over 30 min.	%	$\leq \pm 0,03$
Operating temperature range	K	253 - 373
Nominal temperature range	K	293 – 363
Temperature effect on the sensitivity	% / 10K	$\leq 0,05$
Temperature effect on the signal of unbalance	% / 10K	$\leq 0,05$
Maximal strain	mm	0,15
Material		steel
Cable length	m	3 or other on demand
Connector / protection		LUMBERG / IP40; stain relief / IP67
Overload allowable	%	50

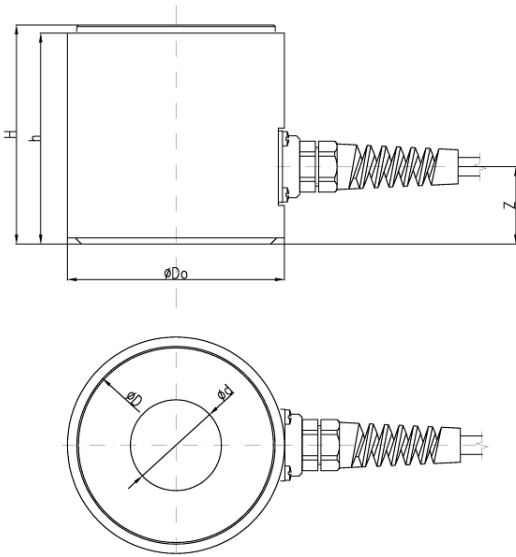
* on demand up to 10 000 kN

Electrical connection

1 brown	$-W_y$
2 pink	$0 U_{zk}$
3 white	$0 U_z$
4 yellow	$+U_z$
5 grey	$+U_{zk}$
6 green	$+W_y$
7 black	shield



CL 18T – force sensor for ropes and rods



Range	H	D	d	d1	h	Z	R
kN	mm						
5	dimentions resulting from aplikation						
10							
20							
50							
100							
200							
500							
1000							
2000							
3000							

Ordering example:

CL 18T – 10 kN – 0,5 – R2 – 10- Z1 – 1: force sensor CL18T, nominal range 10 kN; non-linearity 0,5%; sensitivity 2 mV/V; nominal input voltage 10V; Lumberg connector; cable length 1m.

Manufacturer: _____

ZEPWN J.Czerwiński i Wspólnicy spółka jawna, 05-270 Marki, ul. Kołtąja 8

tel./fax: (004822) 7812169, 7712411, e-mail: zepwn@zepwn.com.pl, <http://www.zepwn.com.pl>